



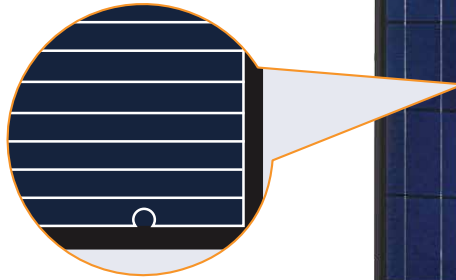
## IM60 Series Photovoltaic Modules

Peak Power: 230-245Wp

### Features

- 60 MOTECH multicrystalline solar cells connected in series
- Designed for 600V or 1000V applications
- For commercial or residential grid-tied applications
- Output power tolerance of -3% +5%
- Robust, anodized aluminum frame and tempered glass
- Tyco junction box, easy-click SOLARLOK<sup>®</sup> connectors, and cable
- Global manufacturing and world-class quality

**POWERED BY**  
**MOTECH**  
**SOLAR CELLS**

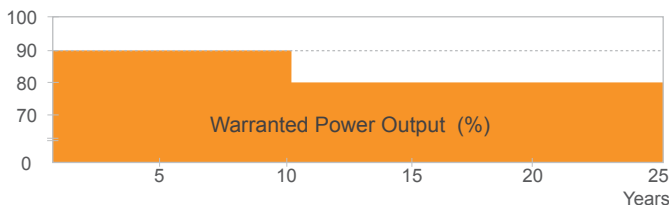


### Quality, Reliability, and Yield

Motech modules are powered by some of the highest performance and most reliable silicon cells in the solar industry. Motech modules are engineered and tested to the highest possible quality standards and are recognized throughout the world for their ability to deliver lifetime performance and, most importantly, maximized kWh yield.

### 25-Year Extended Warranty\*

- 10-year warranty at 90%; 25-year warranty at 80%
- 5-year warranty on materials and workmanship



### Certifications & Standards\*



IEC 61215  
IEC 61730

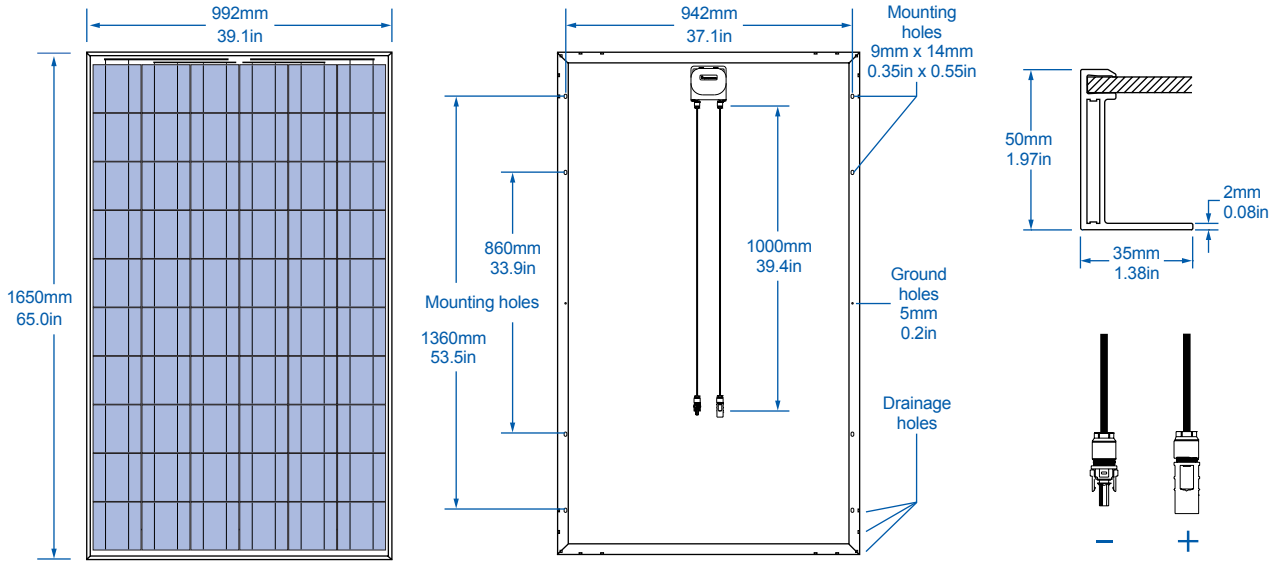
UL 1703  
CEC listed

Application Class A  
Safety Class II

\* Please refer to our website for certification and warranty details.

# IM60 Series Photovoltaic Modules

## Physical Characteristics

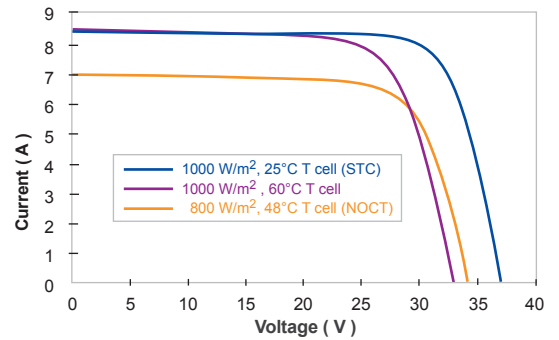


## Physical Design Properties

|                             |  |
|-----------------------------|--|
| Weight                      | 43.7 lb [19.8 kg]  |
| Maximum Tested Load         | ±50 psf [2400 Pa] / +113 psf [5400 Pa] *   |
| Hailstone Impact Resistance | 1" @ 50 mph [25 mm @ 80 kph]   |
| Junction Box                | IP65 rated   |
| Output Cables               | 4.0mm <sup>2</sup> Universal PV Wire,<br>1000mm [39.4in],<br>Tyco SOLARLOK® Connectors |

\*Refer to module installation instructions for maximum loading configurations.

## IV Curve



## Electrical Performance

| Peak Power            | Pmax(Wp) | 230  |      | 235  |      | 240  |      | 245  |      |
|-----------------------|----------|------|------|------|------|------|------|------|------|
|                       |          | STC  | NOCT | STC  | NOCT | STC  | NOCT | STC  | NOCT |
| Max. Power Voltage    | Vmpp(V)  | 29.1 | 26.2 | 29.4 | 26.4 | 29.8 | 26.8 | 29.9 | 26.9 |
| Max. Power Current    | Impp(A)  | 7.9  | 6.3  | 8.0  | 6.4  | 8.1  | 6.4  | 8.2  | 6.5  |
| Open Circuit Voltage  | Voc(V)   | 36.8 | 33.6 | 37.1 | 33.8 | 37.3 | 34.0 | 37.4 | 34.2 |
| Short Circuit Current | Isc(A)   | 8.4  | 6.8  | 8.5  | 6.8  | 8.6  | 6.9  | 8.7  | 7.0  |

## Electrical Performance Parameters

|  |                 |             |                                    |             |
|--|-----------------|-------------|------------------------------------|-------------|
| Isc Temperature Coefficient                        | $\alpha$ (%/°C) | +0.07 ±0.02 | Max. Series Fuse                   | 15A         |
| Voc Temperature Coefficient                        | $\beta$ (%/°C)  | -0.34 ±0.01 | Max. System Voltage                | 600V, 1000V |
| Pmax Temperature Coefficient                       | $\gamma$ (%/°C) | -0.46 ±0.02 | Normal Operating Cell Temp. (NOCT) | 48°C ± 2°C  |
| Efficiency Reduction at 200W/m <sup>2</sup> , 25°C |                 | <5%         | Limiting Reverse Current (Ir)      | 8.7A        |

IV parameters are rated at Standard Test Conditions (Irradiance of 1000 W/m<sup>2</sup>, AM 1.5, cell temperature 25°C). All measurements are guaranteed at the laminate leads. NOCT is measured at 800 W/m<sup>2</sup>, 20°C ambient, and 1 m/s windspeed. Specifications are subject to change without notice. Motech reserves the rights of final interpretation and revision on this datasheet.