

Sunny Island 3324



New off-grid inverter - A technology leap into the future



Optimized for high ambient temperatures

Very high overload capability

Very high efficiency

Integrated DC breaker and user interface

Output load shedding

DC and AC coupling of energy sources

Easy start of a generator

Battery and insect protection

Easy installation and commissioning of 1-phase island system

Non volatile parameter settings

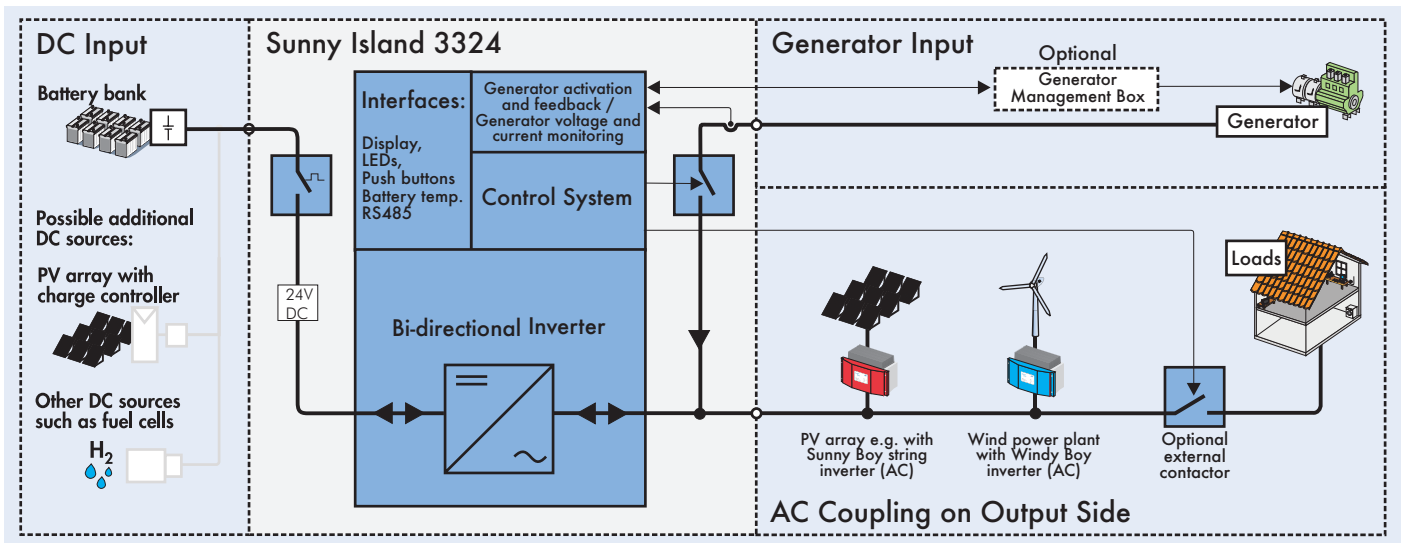
Compatible to Sunny Family products

24 V Battery voltage

The new Sunny Island 3324 battery inverter is the first addition of battery off-grid inverter since Sunny Island 4500. Perfectly sine wave off-grid electricity is now available with highest efficiency, robust power and outstanding reliability. Simple to run & use, yet loaded with powerful and advanced features. The Sunny Island 3324 is designed to meet nearly all needs for off-grid applications as well as back-up power systems.

Whatever & wherever electric power is needed, this new Sunny Island will perform!





The Sunny Island 3324 provides a continuous power output of 3300 watts at 25 °C and 2300 watts even at scorching temperatures up to 45 °C. That is enough power to comfortably energize most household appliances with power to spare. Critical loads such as water pumps and refrigerators that require very high power can be powered by the Sunny Island 3324.

This inverter works silently and can be powered from a multiple sources: wind, utility grid (for back-up power), hydro, solar electric and is even compatible with fuel cells. A number of communication options allow power system monitoring, even via GSM modem. The optional SMA "GenMan" (Generator Management) is the optimal interface for comfortable handling of your backup generator.

The internal battery charger can supply over 3300 watts to the battery when running in the charge mode. Transfer of power to / from the inverter is lightning fast at 20 ms with a transfer relay pass through rating of 56 A at 230 V.

Once a power system is set up with the Sunny Island 3324, it will run with basically no maintenance for years to come. With its state of the art programming and non volatile memory, just set it and forget it.

Technical Data

Electrical / Mechanical data

Nom. battery voltage:	VDC,nom	24 V
Battery voltage range:	VDC	21 V ... 32 V
Nom. AC voltage:	VAC,nom	230 V
AC voltage range:	VAC	202 ... 253 V
AC frequency:	fAC	50 Hz
AC input charge current:	IAC chrg	14.5 A @ 25 °C 10 A @ 45 °C

Max AC pass through current (transfer relay):	56 A
Consumption (no load operation):	approx. 22 W
Consumption (standby):	<4 W
Total harmonic distortion:	<3 %

Enclosure:	IP30
Weight:	approx. 39 kg
Size:	width 390 mm x length 590 mm x height 245 mm

Temperature range

-25 °C ... +50 °C

Cooling concept:

Electronics encapsulated in separate compartment;
low noise temperature controlled fan cooling;
exchangeable fan module; air / insect filter easy to clean

Interfaces:

- 2 LEDs; 2-line-LCD; 4 push buttons
- 1 dry contact output for load shedding
- 1 interface RS232 / RS485 galvanic isolated (optional)

Accessories:

- Remote battery temperature sensor (included)
- Generator Management "GenMan" (optional)

